

■DESCRIPTION

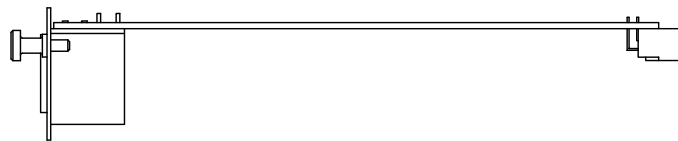
The D-2000AD1 is a 4-channel Microphone/Line Input Module designed for use with the D-2008SP Digital Mixing Processor Unit. It employs XLR type connectors.

■SPECIFICATIONS

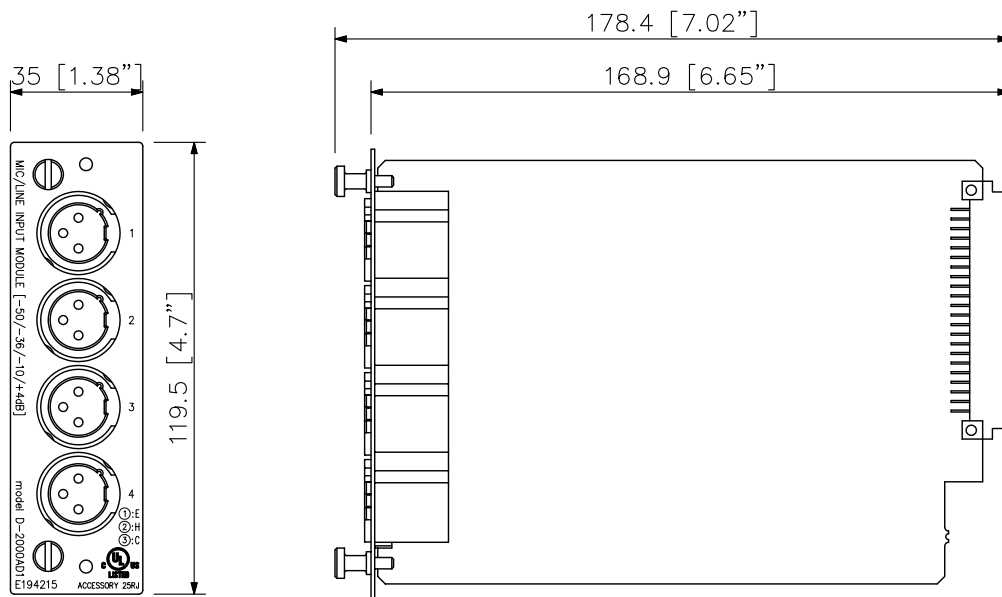
*0 dB = 0.775 V

Input	4 channels, Mic/Line selectable Mic: -50/-36 dB*, 2.6 kΩ, electronically-balanced Line: -10 dB*, 2.6 kΩ/+4 dB*, 7 kΩ, electronically-balanced Connector: XLR-3-31 equivalent Phantom power supply (48 V DC, can be used when set for the Mic) Ground lift switch
A/D Converter	24 bit
Sampling Frequency	48 kHz
Frequency Response	20 Hz - 20 kHz, ±1 dB (+4 dB* input)
Dynamic Range	104 dB (IHF-A weighted) or more (+4 dB* input)
Total Harmonic Distortion	0.008 % or less (+4 dB* input)
Finish	Panel: Pre-coated steel plate, black, 30 % gloss
Dimensions	35 (W) × 119.5 (H) × 178.4 (D) mm (1.38" × 4.7" × 7.02")
Weight	200 g (0.44 lb)

■APPEARANCE



Top View



Front View

Side View

UNIT:mm SCALE:1/2